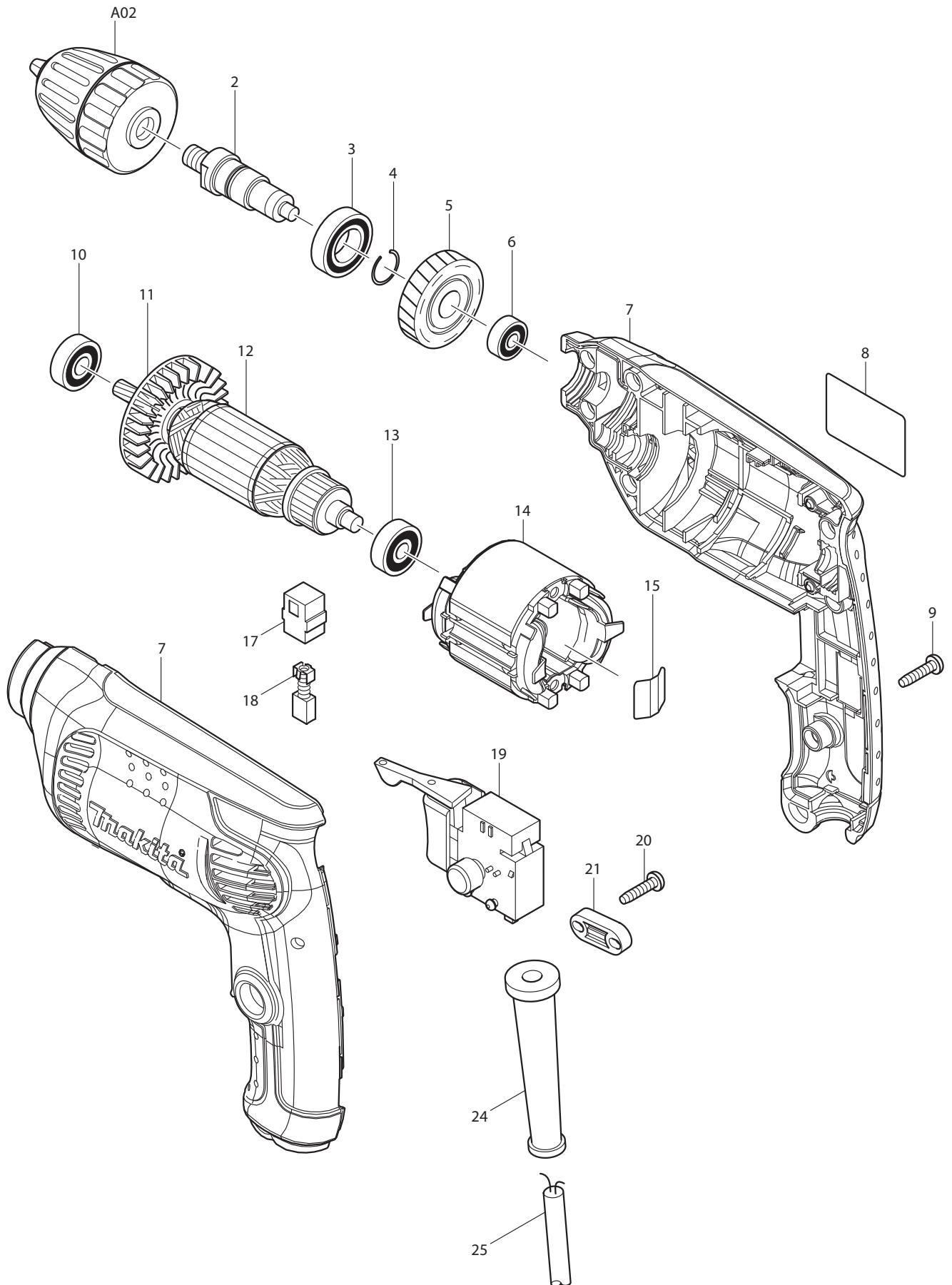




07 - 2010

6413K

3/8" KEYLESS DRILL KIT (V.S.)



## PARTS LIST

Item No	Type	Part No	Description	Qty	Unit	
002		324376-4	SPINDLE	1	PC.	
003		211242-3	BALL BEARING 6902ZZ	1	PC.	
004		233925-5	RING SPRING 13	1	PC.	
005		226578-7	HELICAL GEAR 35	1	PC.	
006		210028-2	BALL BEARING 606ZZ	1	PC.	
007		188277-8	HOUSING SET	1	SET	
007	INC.	263002-9	RUBBER PIN 4	2	PC.	
008		863402-9	6413 NAME PLATE	1	PC.	
009		266326-2	TAPPING SCREW 4X18	7	PC.	
010	2	210191-1	BALL BEARING 608ZZ	1	PC.	
011		240066-0	FAN 52	1	PC.	
012	1	515696-9	ARMATURE ASS'Y 115V	1	PC.	
012	1	INC.	Item No. 10,11,13			
012	2	510498-8	ARMATURE ASS'Y 115V	1	PC.	
012	2	INC.	Item No. 10,11,13			
013		210030-5	BALL BEARING 627ZZ	1	PC.	
014		593641-4	FIELD ASS'Y 115V	1	PC.	
014	2	INC.	654409-4	TERMINAL VR1.25-3.5LB	1	PC.
015		232210-3	LEAF SPRING	1	PC.	
017	2	643566-3	BRUSH HOLDER 5X8	2	PC.	
018	1	194971-2	CARBON BRUSH CB-75 2PC/SET (W/ ORIGIN)	1	SET	
018	2	191956-9	CARBON BRUSH CB-75 2PC/SET (W/ ORIGIN)	1	SET	
019		650585-2	SWITCH DGQ-1108B	1	PC.	
020		266326-2	TAPPING SCREW 4X18	2	PC.	
021		687123-7	STRAIN RELIEF	1	PC.	
024		682569-2	CORD GUARD 8-85	1	PC.	
025		664881-2	CORD W/PLUG 2P-18-2.0M, SJO	1	PC.	
A01	1	183597-5	PLASTIC CARRYING CASE (W/O SPONGE)	1	PC.	
A01	1	INC.	182935-8	SLIDE LATCH (R.L) SET	1	SET
A01	1	INC.	819142-7	MAKITA LOGO LABEL	1	PC.
A01	2	187043-0	PLASTIC CARRYING CASE (W/SPONGE)	1	PC.	
A01	2	INC.	182935-8	SLIDE LATCH (R.L) SET	1	SET
A01	2	INC.	819142-7	MAKITA LOGO LABEL	1	PC.
A02	2	763242-4	3/8" KEYLESS DRILL CHUCK-BULK	1	PC.	
C01		871621-3	CARTON	1	PC.	
D02		654042-2	NON-INSULATED SLEEVE	2	PC.	